



For a flexible and adaptable remote paging microphone, the MR 102 Remote Microphone is the answer. Built upon solid state technology, this microphone console provides undistorted voice transmission and desktop zone selections.

The MR 102 comes standard with 20-zone selections. Additional zones can be extended via the MX 102 in multiples of 20 zones up to a total of 120 zones maximum. This gives flexibility to suit individual installation need. The MR 102 also comes with ALL CALL and RESET buttons to facilitate easy one touch selection and deselection of all zones. When the TALK button is pressed, the selected zones at the main console and extension units will activate the line selector correspondingly while emitting a chime prior to announcement.

The built-in automatic 4-tone chime comes complete with dual-colour LED for visual indication of when the chime is over or if another microphone unit is in use. Using condenser gooseneck microphone and compressor circuit, the microphone transmits clear and crisp voice messages without distortion. The functional design of this Remote Microphone allows it to work with any kind of mixers or pre-amplifiers.

- A total of 20 zones can be selected on the MR 102. There is an ALL CALL button for all zones activation. A RESET button is provided for easy deactivation of all zones.
- The number of selectable zones can be extended when attached to the MX 102 Extension Unit with each unit having an additional control of 20 zones.
- Unidirectional condenser gooseneck microphone and pre-amp-circuitry with built-in compressor to eliminate overload distortion.

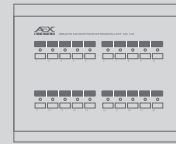
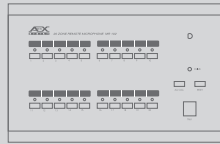
Built-in automatic 4-tone chime function complete with bi-colour

- LED indicator for TALK ready.



MX 102
Remote Microphone Extension Unit

MR 102
20 Zone Remote Microphone

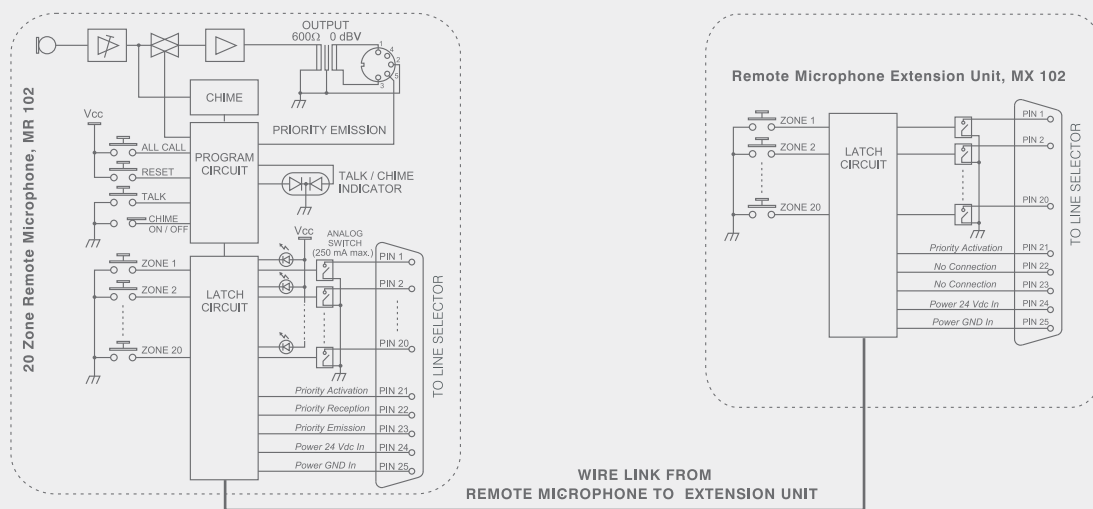


Technical Specifications

	MR 102
Audio Signal Output	0 dBV, 600 ohm balanced via 5 pin DIN socket
Signal Output to Line Selector (LS 10 / LS 10A)	20 Individual Zones via 25-pin D-Type Female Connector
Connection to MX 102	Via 9 Pin D-Type Female Connector
Microphone	Unidirectional Gooseneck Microphone
Capsule Type	10 mm Condenser Type
Chime	Built-in 4-Tone Chime with adjustable volume and OFF Switch
Frequency Response	200 Hz ~ 18 000 Hz
Safety	Acc. to EN 60065
Indicators	Green LED indicator for each zone Bi-colour LED for chime / talk indication
Power Requirements	24 Vdc, 500 mA max. per unit
Dimensions (W x H x D)	260 x 165 x 62 mm
Weight	1.9 kg
Material & Finish	Mild Steel, Epoxy Coated Textured Black

	MX 102
Signal Output to Line Selector (LS 10 / LS 10A)	20 Individual Zones via 25-pin D-Type Female Connector
Connection to MR 102 / Next MX 102	Via 9 Pin D-Type Female Connector
Indicators	Green LED indicator for each zone
Power Requirements	24 Vdc, 300 mA max. per unit
Dimensions (W x H x D)	206 x 165 x 62 mm
Weight	1.4 kg
Material & Finish	Mild Steel, Epoxy Coated Textured Black

Block Diagram



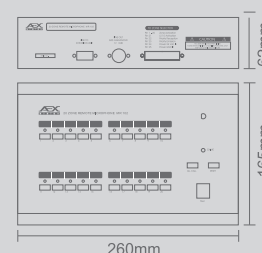
Engineers' Specifications

The remote microphone shall have 20 loudspeaker zone select switches to control external relay switching units, together with ALL CALL, RESET and TALK enable buttons. The unit shall emit a 4-tone chime that precedes an announcement and can be bypassed if not required. A gooseneck condenser microphone shall be provided with a preamplifier, with built-in compressor circuit to eliminate overload distortion. The output shall be 0 dB balanced, 600 ohm and a frequency response of 200 Hz to 18 kHz. The unit shall have an extension port to connect to an extension unit, providing up to 100 additional zone controls. The dimensions of the unit shall not exceed 260 x 165 x 62 mm (WxHxD) and weight not exceeding 1.9 kg.

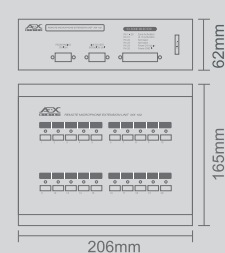
MX 102

The extension unit shall provide an additional control of 20 zones to the MR 102. It shall have 20 loudspeaker zone select switches to control external relay switching units and able to receive control from

the MR 102 for ALL CALL & RESET function. The unit shall provide an extension port to link to the next MX 102 unit for additional extension, up to a maximum of 5 units. The dimensions of the unit shall not exceed 205 x 165 x 62 mm (WxHxD) and weight not exceeding 1.4 kg.



MR 102



MX 102