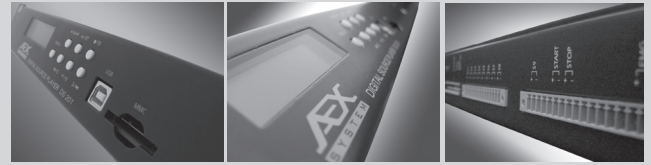




Protecting Your Human Assets During Emergency

DS 200 Series Digital Source Player



The DS 200 Series is a range of versatile digital source players which perform playback of music files and pre-recorded messages. The unit is capable of storing and indexing up to 512 messages or on each channel and can perform sequential playback. Moreover, the playback material can be configured for Single Track Playback, Continuous Program Playback or Looped Playback.

The built-in LCD display with backlight clearly presents information such as program names, output level, play list status and configuration menu. This display works hand-in-hand with the unit's control keypad which is password-protected to prevent unauthorized modification to the settings. The DS 200 Series LCD display also outputs error notification when there are errors such as unit malfunction, memory card not loaded or output is busy when the unit is playing.

External control inputs from other devices or for remote control are available for a multitude of functions such as Track Select, Play, Stop and Emergency Mode. The DS 200 unit uses Multimedia Card as its storage medium which can be upgraded up to 1 GB. It also utilises USB port for ease of file transferring from a PC.

The digital source player is able to operate on either 240 Vac or 24 Vdc power supply. There are two models available, the DS 201 Single Channel Output and DS 202 Dual Channel Output.

The total of 512 messages or 228 minutes of recordable messages are based on compression rate of 75 kbps, stored in a 128 MB Multimedia Card.

- Multipurpose unit which performs playback of music and messages.
- Playback modes include: Sequential, Single Track Repeat, Continuous Program and Looped Playback.
- Maximum recording time of 228 minutes or 512 messages per channel based on 128MB MMC.
- Utilises Multimedia Card (MMC) which is upgradable up to 1 GB.
- LCD with backlight to present information as well as errors notifications.
- Control keypad is password protected to prevent unauthorised access.
- Unit able to be remotely activated for playback, track selection and emergency override.
- Unit utilises USB port for ease of files transfer from a PC.



DS 201
Single Channel Digital Source Player



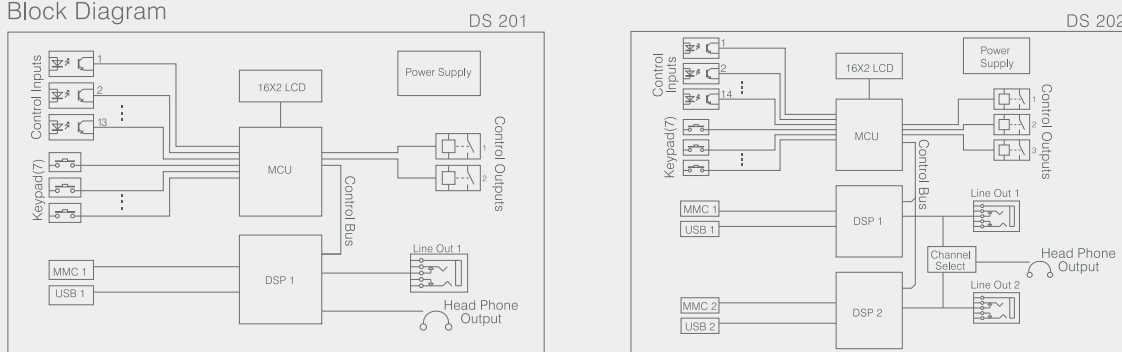
DS 202
Dual Channel Digital Source Player



Technical Specifications

	DS 201	DS 202
Output Channels	1	2
Max. Recording Time per channel (with 128M MMC)	For Compression Rate of 75 kbps = 228 mins 128 kbps = 134 mins	For Compression Rate of 75 kbps = 228 mins 128 kbps = 134 mins
Max. No. of Message	512	1024
Storage Medium	1 piece Multimedia Card (MMC)	2 pieces of Multimedia Card (MMC)
Control	13 Control Inputs (1-Start, 1-Stop, 1-Playback, 1-Emergency, 9-Message Selection)	14 Control Inputs (1-Start, 1-Stop, 1-Playback, 1-Emergency, 1-Card Selection, 9-Message Selection)
No. of Outputs	1 channel output with L & R 2 Control Outputs (1-Error & 1-Busy)	2 channel outputs with L & R 3 Control Outputs (1-Error & 2-Busy)
Output Sensitivity	0 dB, 600 Ω Balanced	0 dB, 600 Ω Balanced
Frequency Response	20 Hz ~ 20 kHz	20 Hz ~ 20 kHz
SNR	> 85 dB	> 85 dB
THD	< 0.03%	< 0.03%
Control Input	Dry Contact Method: NO Current Loop: 24 Vdc 10 mA	Dry Contact Method: NO Current Loop: 24 Vdc 10 mA
Control Output	Contact Capacity: 30 Vdc, 0.5 A Normally Open Contact	Contact Capacity: 30 Vdc, 0.5 A Normally Open Contact
Display	LCD with Backlight (16 characters x 2 lines)	LCD with Backlight (16 characters x 2 lines)
Data Transfer	USB	USB
Connectors	Phone socket for Audio Output Phoenix Connectors for Control Inputs & Outputs	2 sets of Phone socket for Audio Output Phoenix Connectors for Control Inputs & Outputs
Power Requirement	220 ~ 240 Vac or 24 Vdc, 0.3 A	220 ~ 240 Vac or 24 Vdc, 0.3 A
Dimensions (W x H x D)	483 x 44 x 200mm	483 x 44 x 200mm
Weight	3.0 kg	3.0 kg

Block Diagram



Engineers' Specifications

The DS 200 Series Digital Source Player shall be able to play music files as well as pre-recorded messages. It shall be able to store and play up to 512 messages or 228 minutes of messages per channel. The unit shall utilize multimedia card (MMC) up to 1 GB as its storage medium. The DS 200 Series shall be incorporated with a USB port for easy and fast data transfer from a computer. The LCD with backlight display shall provide clear information about the status of the unit and also error notifications. As a security feature to prevent

unauthorized access, the control keypad will be equipped with keypad-lock feature. The DS 200 Series comes in two different models which are the DS 201 and DS 202. Both shall have frequency response of 20 Hz to 20 kHz, signal-to-noise ratio (SNR) of more than 85 dB and a total harmonic distortion (THD) of less than 0.03 %. The DS 202 shall have two slots for MMC as compared to one slot on the DS 201. Also, the DS 202 will have two output channels while the DS 201 will have only one output channel.

